

# TLB series

## TLB060 Turn light

- Ø70 compact flashing light
- Rotating continuous light, rotating continuous light and buzzer
- Incandescent lamp indicator (socket type)
- Direct mounting type, support mounting type
- 24 V d.c/a.c or 100 – 240 V a.c.




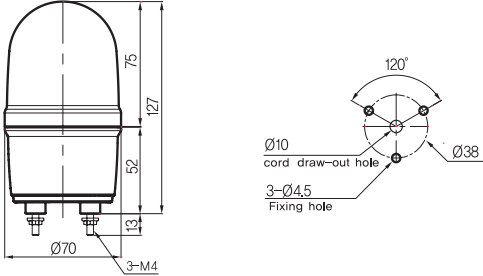
### 🔍 Suffix code

Model	Code				Description
TLB	□	-□	□	□	Turn light
Dimension	060				Ø70 Cap
Cap shape	P				Round cap direct installation
	F				Rectangular cap direct installation
	R				Round cap support installation
	X				Rectangular cap support installation
Function	A				Rotating continuous light
	F				Rotating continuous light, Buzzer
Power supply voltage	C51				24 V d.c/a.c 50 – 60 Hz
	A11				100 – 240 V a.c 50 – 60 Hz
Cap color			R		Red
			Y		Yellow
			G		Green

## Specification

Model	TLB060-□AC51	TLB060-□AA11	TLB060-PFC51 TLB060-FFC51	TLB060-PFA11 TLB060-FFA11
Function	Rotating continuous light		Rotating continuous light, buzzer	
Dimension	Ø70			
Power supply voltage	24 V d.c/a.c	100 - 240 V a.c	24 V d.c/a.c	100 - 240 V a.c
Power frequency	50 ~ 60 Hz			
Power consumption	max 7 W	max 11 W	max 7 W	max 11 W
Rotation speed	Approx 210 times/min			
Light source (socket)	Incandescent lamp (BA 15S)			
Lamp capacity	24 V 5 W			
Buzzer	-		Buzzer built in(approx 80dB from distance 1m)	
Cap material	Polycarbonate (P.C)			
Body	ABS resin			
Cap color	Red, Yellow, Green			
Degree of protection	IP54			

## Dimension and panel cutout (unit : mm)

Model	Appearance	Dimension and panel cutout
TLB060-P		
TLB060-R	