

Synchronous Timer - Series EM 1000

- Time delay is independent of normal voltage and temperature fluctuations
- Black pointer gives clear indication of the time set on the calibrated dial while the red one indicates the time left to complete the cycle
- Automatic reset on de-energisation of the clutch coil
- Base mounting or flush mounting versions
- No-volt feature available



Mode	ON Delay	ON Delay Retentive (No Volt)
Functional Diagram		
Supply Variation	- 20% to +10%	
Frequency Variation	95% to 105%	
Power Consumption (Max.)	10 VAC	
Timing Range	0.15s to 120h	
Repeat Accuracy	± 0.5% of Full Scale Range @ Constant Frequency	
Output	Output Contact	1 Instant + 1 Delayed / 1 Instant + 2 Delayed (Optional)
	Contact Rating	6A (resistive) @ 250 VAC
	Switching Frequency	3000 operations/hr. (Max.)
Operating Temperature	-5°C to 45°C	
Enclosure	Conforms to IP30 - IS 13947.	
Dimension (W x H x D) (in mm)	96 X 96 X 100	
Weight (unpacked)	530 g	
Mounting	Flush / Base	
Terminal Connection	1- 2.5 mm ² solid/stranded.	
Degree of Protection	IP20	

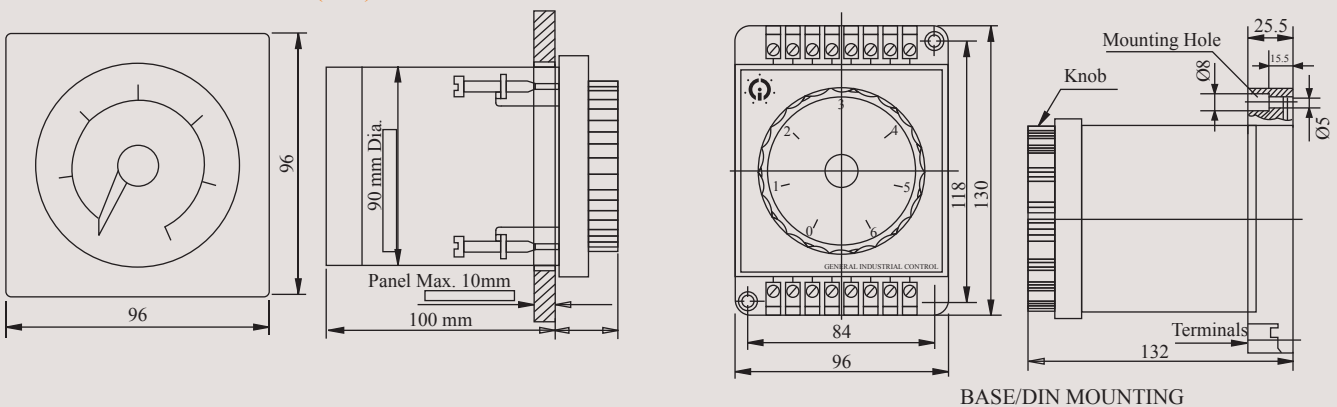
ORDERING INFORMATION

Timing Ranges(SR)	Delay
B 0.15 - 3.0 SEC	1 Standard ON delay
C 1.5 - 30 SEC	2 With 'NO VOLT'
D 0.15 - 3.0 MIN	
E 1.5 - 30 MIN	
F 0.15 - 3.0 HRS	
G 1.5 - 30 HRS	
H 0.3 - 6.0 SEC	
J 3.0 - 60 SEC	
K 0.3 - 6.0 MIN	
L 3.0 - 60 MIN	
M 0.3 - 6.0 HRS	
N 3.0 - 60 HRS	
P 0.6 - 12 SEC	
Q 6.0 - 120 SEC	
R 0.6 - 12 MIN	
S 6.0 - 120 MIN	
T 0.6 - 12 HRS	
V 6 - 120 HRS	

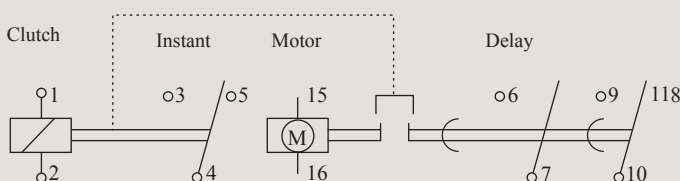
Timing Ranges(MR)	Mounting
X 0.15 SEC.-3.0 HRS.	B Base Mounting
Y 0.3 SEC.- 6.0 HRS.	F Flush (door) Mtg.
Z 0.6 SEC.-12.0 HRS.	

Voltage	Contact
3 110V AC 50 Hz	1 1 Inst + 1 Del C/O
4 240V AC 50 Hz	2 1 Inst + 2 Del C/O
C 110V AC 60 Hz	
D 240V AC 60 Hz	

MOUNTING DIMENSION (mm)



CONNECTION DIAGRAM



TERMINAL TORQUE & CAPACITY

	Torque - 1.1 N.m (10 Lb.in) Terminal screw - M3.5
	Solid Wire - 2 X 0.2...2.5 mm ²
AWG	1 X 24 to 10