

HY-256/306/606/606N

Power buzzer

- Compact size, light weight, high capacity buzzer melody
- Excellent alarm function
- Suitable for panel installation
- Low power consumption



Suffix code

Model	Code	Description
HY-	□-□	Power Buzzer
Dimension	256	For Ø25
	306	For Ø30
	606	Rectangular panel flush type (For Ø66)
	606N	Rectangular panel extended type (□80)
Power supply voltage	1	110 V a.c, 50/60 Hz
	2	220 V a.c, 50/60 Hz
	12	12 V d.c
	24	24 V d.c


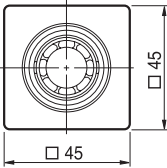
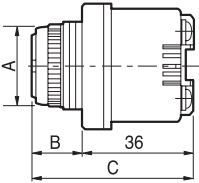

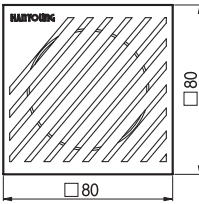
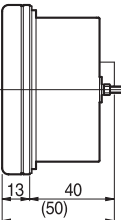
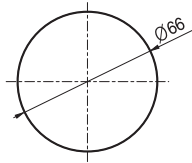
Specification (HY-256, HY-306)

Model	Ø25	HY-256-1	HY-256-2	HY-256-12	HY-256-24
	Ø30	HY-306-1	HY-306-2	HY-306-12	HY-306-24
Power supply voltage		110 V a.c	220 V a.c	12 V d.c	24 V d.c
Power frequency		50/60 Hz		-	
Power consumption		Approx 4 VA		30 mA max.	
Decibel		85 dB (1m distance)			
Insulation resistance		100 MΩ (500V d.c insulation resistance meter)			
Dielectric strength		1,000 V a.c for 1min (recharging part-non recharging part)			
Ambient temperature		-10 °C ~ 55 °C			
Ambient humidity		45 - 85 % R.H.			

●● Specification (HY-606, HY-606N)

Model	flush type	HY-606-1	HY-606-2	HY-606-12	HY-606-24
	extended type	HY-606N-1	HY-606N-2	HY-606N-12	HY-606N-24
Power supply voltage		110 V a.c	220 V a.c	12 V d.c	24 V d.c
Power frequency		50/60 Hz		-	
Power consumption		Approx 8 VA		30 mA max.	
Decibel		85 dB (1m distance)		80 dB (1m distance)	
Insulation resistance		100 M Ω (500 V d.c insulation resistance meter)			
Dielectric strength		1,000 V a.c for 1 min (recharging part-non recharging part)			
Ambient temperature		-10 °C ~ 55 °C			
Ambient humidity		45 - 85 % R.H.			

●● Dimension (unit : mm)

Model	Appearance	Dimension																			
HY-256 HY-306				<table border="1"> <thead> <tr> <th>Model</th> <th>A</th> <th>B</th> <th>C</th> <th>panel cutout</th> </tr> </thead> <tbody> <tr> <td>HY-256</td> <td>$\varnothing 31$</td> <td>27.5</td> <td>74</td> <td>$\varnothing 25.5^{+0.5}_0$ mm</td> </tr> <tr> <td>HY-306</td> <td>$\varnothing 36$</td> <td>27.5</td> <td>74</td> <td>$\varnothing 30.5^{+0.5}_0$ mm</td> </tr> </tbody> </table>			Model	A	B	C	panel cutout	HY-256	$\varnothing 31$	27.5	74	$\varnothing 25.5^{+0.5}_0$ mm	HY-306	$\varnothing 36$	27.5	74	$\varnothing 30.5^{+0.5}_0$ mm
Model	A	B	C	panel cutout																	
HY-256	$\varnothing 31$	27.5	74	$\varnothing 25.5^{+0.5}_0$ mm																	
HY-306	$\varnothing 36$	27.5	74	$\varnothing 30.5^{+0.5}_0$ mm																	
HY-606																					
HY-606N	